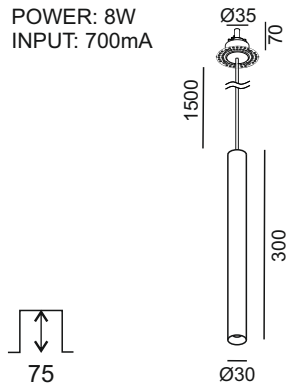


# TUB S P 300 NANO

## 03.0331.8

POWER: 8W  
INPUT: 700mA



### SAFETY INSTRUCTIONS

- The appliance should be installed, connected and tested by qualified electrician, and in accordance with local regulations.

- Turn off the power supply before installation or maintenance of the appliance, and make sure that the cables will not be squeezed or damaged by sharp edges.

- The appliance should not be covered by insulation blankets or similar materials .

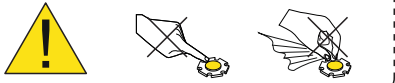
- Clean the appliance with a soft cloth and a standard PH neutral detergent. Stainless steel surfaces should be maintained regularly.

- Misuse of, or changes to the appliance shall nullify the guarantee. The manufacturer is free to change the design, specifications and instructions for assembly.

**⚠ DO NOT CONNECT THE APPLIANCE DIRECTLY TO HIGH-VOLTAGE POWER SUPPLY IF DRIVER IS NOT CONNECTED.**

USE THE CORRECT DRIVER TO CONNECT.

DO NOT TOUCH OR CLEAN THE LED ARRAY!  
IN ORDER TO AVOID DAMAGING THE LED CHIP!

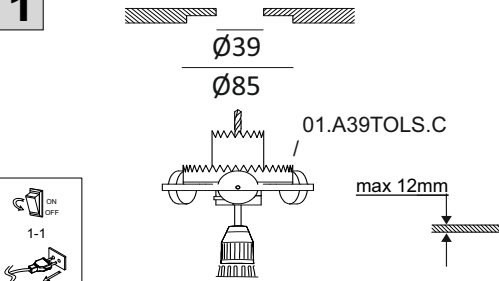


CE IP20

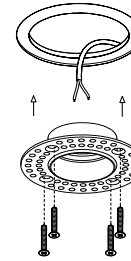


### Option 1

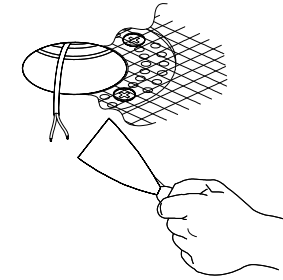
1



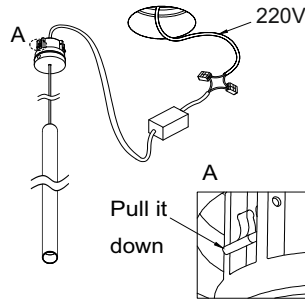
2



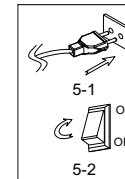
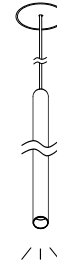
3



4

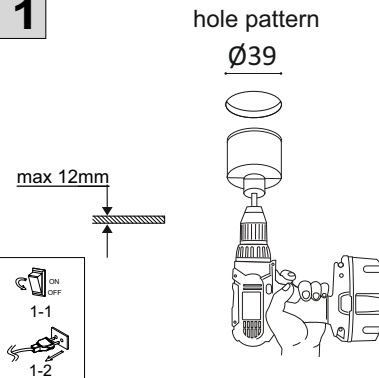


5

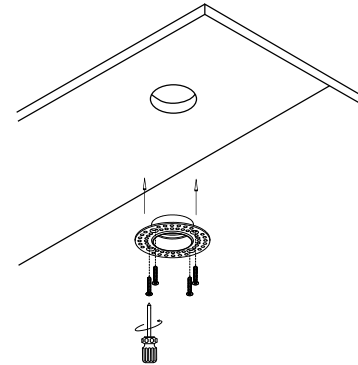


### Option 2

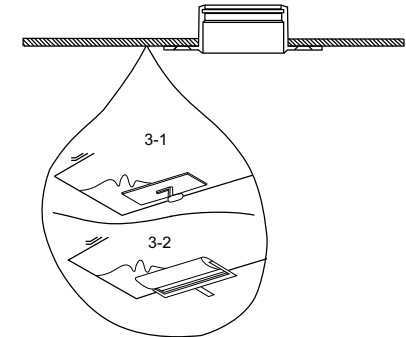
1



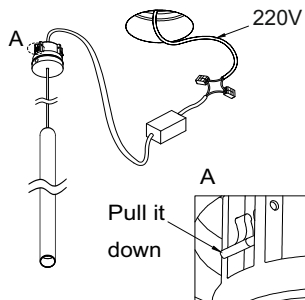
2



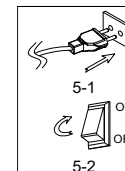
3



4



5



**LTX** Lightonix sp. z o.o.  
LIGHTING SOLUTIONS UI Hoza, 86 lok. 410  
LTX-LED.com 00-682 Warszawa, Poland  
Telephone: +48 516 808 834  
E-mail: info@ltx-led.com